



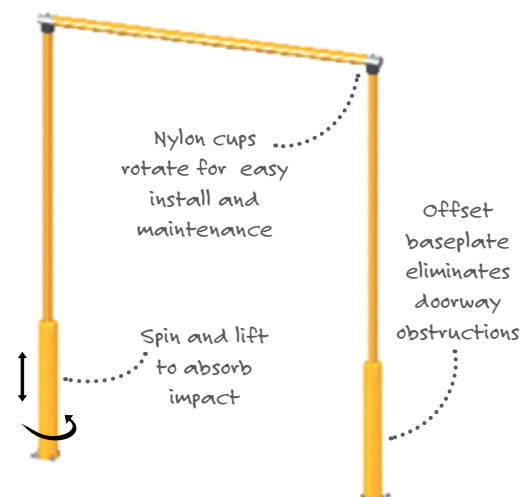
Careful on the way out.

There's only one way out of your warehouse—through the door. That means day after day, every loaded pallet has to pass through the same fragile space. We engineered our goalposts to withstand direct impacts from heavy equipment, spinning and lifting to absorb damaging forces. Because at the end of the day, all that matters is what you get out the door.

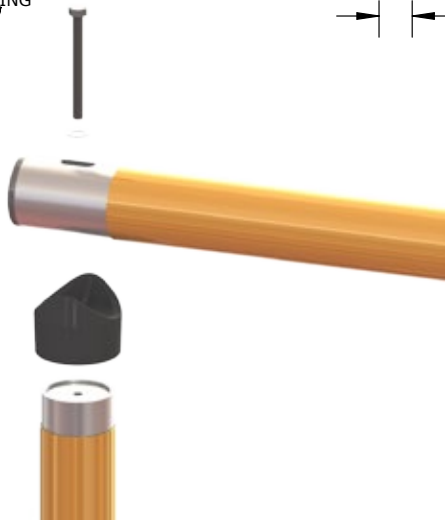
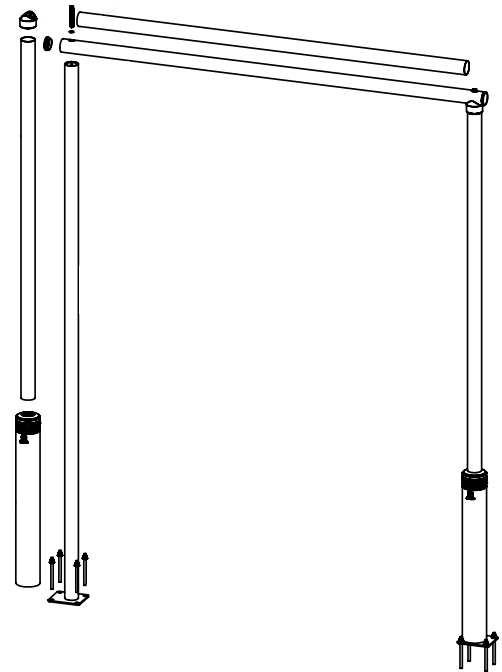
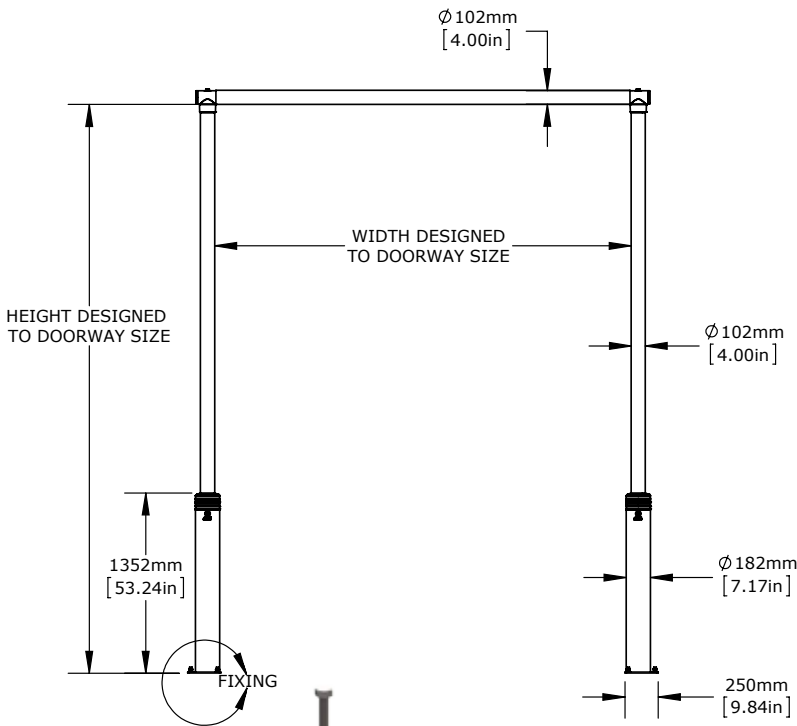
Energy Absorbing Design—Spins when hit to absorb impact forces

Complete Protection—Post and rail system protects the entire door area

Quick Installation—Installs in minutes, protects for years



Goal Post



Uprights were tested to withstand an impact force of 51.7 kN (11,639 lbs)
Maximum deflection of 100 mm (4 in)

This is equivalent to the impact of a 1,500 kg (3,300 lbs) vehicle traveling at 9.5 km/h (5.9 mph).

Patent Pending

Specifications subject to change without notice.



McCue Corporation
Peabody, MA 01960, USA
+1 (800) 800 8503
customer@McCue.com

McCue UK & Europe
Milton Keynes, United Kingdom
+44 (0)1908 365 511
uksales@McCue.com

McCue Asia
迈客 (厦门) 贸易有限公司
Xiamen, Fujian, China
+86-592-2200790

mccue.com

