



Model : EZCD-9018 (A)
Industrial Zoom Camera



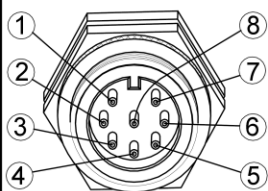
Product Specification

Specifications

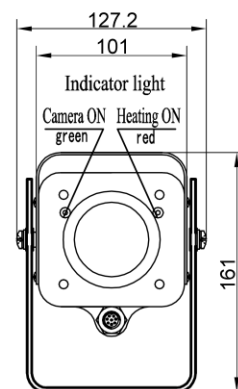
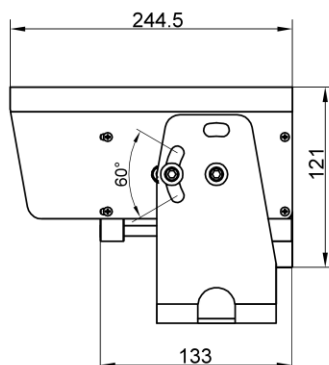
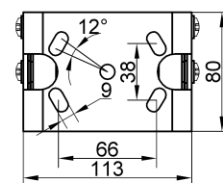
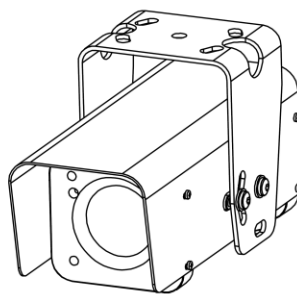
CCD Sensor	Sony 1/4" type EX view HAD CCD
Picture elements	752(H) x 582(V) >440000 pixels
Resolution	530TV Lines
Lens	f=4.1mm (wide) to 73.8mm (tele)
Zoom ratio	216x zoom (18x optical zoom,12x digital zoom)
View angle	48°(wide) 2.8°(tele)
Function	Wide dynamic range
Minimum focus distance	35mm (wide) , 800mm (tele end)
Minimum illumination	0.05Lux
TV system	PAL, CVBS, Output : Vtt composite video 75ohm
IP standard	IP69K based on DIN40040-9:1993 directive
Internal protection	1.4 Bar overpressure dry-nitrogen filled
Housing	Anodized salt spray proof aluminum
Power input	Stabilized 12~24V/DC
Power consumption	<0°(heater on):7.2W, >0°(heater off):3.6W
Operating temperature	-40°C to +85°C
Glass	High strength tempered lens glass
Function	Auto self-heating below 0°,0-lux Mode, Brightness
Weight	2.0kg

Installation

Camera connector 8p male



8	(Not connected)
7	(Not connected)
6	Yellow (RS485 B)
5	Orange (RS485 A)
4	Black (0 V)
3	Red (12V/DC)
2	Coax shield (Video GND)
1	Coax core (Video signal)



Accessories: 1.5m cable with 8 pins male and female adapters is provided.